



**INSTALLATION INSTRUCTIONS
EFI-UB GREASE INTERCEPTOR**



⚠ CAUTION – MOVING PARTS AND RISK OF ELECTRIC SHOCK. DISCONNECT POWER TO THE VENTILATOR BEFORE PERFORMING SERVICE OPERATIONS. THIS DEVICE MUST BE INSTALLED AND MAINTAINED BY A CERTIFIED MAINTENANCE COMPANY WHERE REQUIRED.

IMPROPER INSTALLATION MAY AFFECT THE PERFORMANCE AND WARRANTY OF THE UNIT.

IMPROPER INSTALLATION MAY DAMAGE THE EXHAUST FAN AND/OR THE ROOF.

THESE INSTRUCTIONS ARE TO BE USED AS GUIDELINES FOR INSTALLATION. THE METHOD OF THE INSTALLATION IS DETERMINED BY THE CERTIFIED INSTALLER.

PACKING LIST:

- MOUNTING BRACKET
- MOUNTING SCREWS (8)
- DEFLECTION PLATE
- STAINLESS STEEL LID
- STAINLESS STEEL BOX
- CLEANING INSTRUCTION

WARNING: ALWAYS KNOW WHERE YOU ARE DRILLING – AVOID ELECTRICAL CABLES!

TOOLS REQUIRED TO INSTALL:

- MARKER
- DRILL
- PHILLIPS SCREW DRIVER
- WRENCH/SOCKET
- LEVEL
- METAL DRILL BITS FOR CARRIAGE BOLTS
- SEALANT
- PLUMBING TAPE
- MEASURING TAPE
- GLOVES



INS-EFI-UB Rev. 10/2014

Component Hardware, Inc.

1890 Swarthmore Avenue, PO Box 2020, Lakewood, NJ 08701 • Tel. 800-526-3694 • 732-363-4700 • Fax 732-364-8110
www.flamegard.com

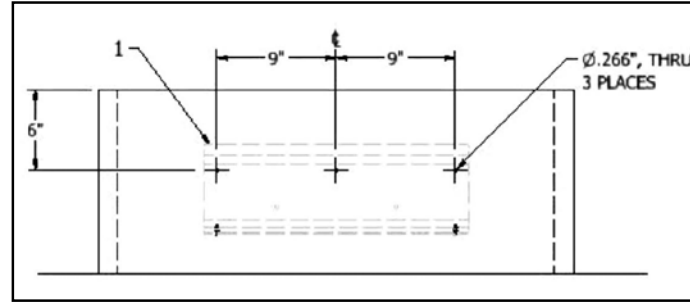


Component Hardware, Inc.

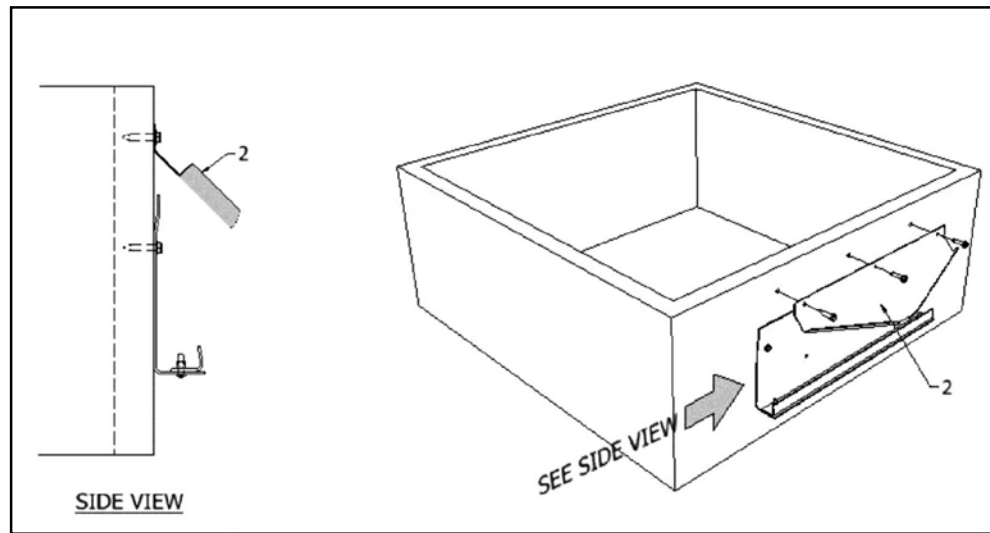
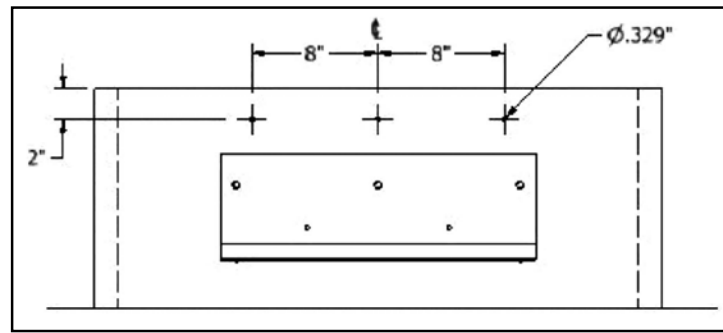
1890 Swarthmore Avenue, PO Box 2020, Lakewood, NJ 08701 • Tel. 800-526-3694 • 732-363-4700 • Fax 732-364-8110
www.flamegard.com

CURB MOUNT INSTALLATION (Sheet Metal Screws)

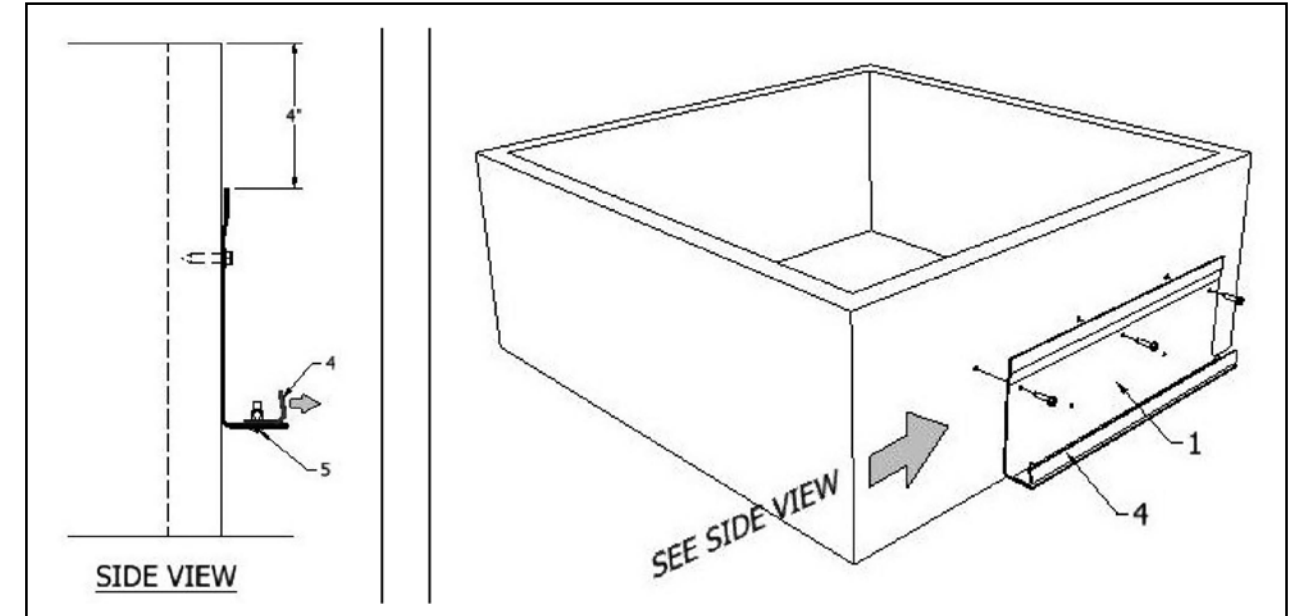
1. Center and level mounting bracket under exhaust fan spout and mark mounting holes. Install mounting bracket using included self-tapping mounting screws. Tighten screws to ensure mounting bracket is tight to the curb.



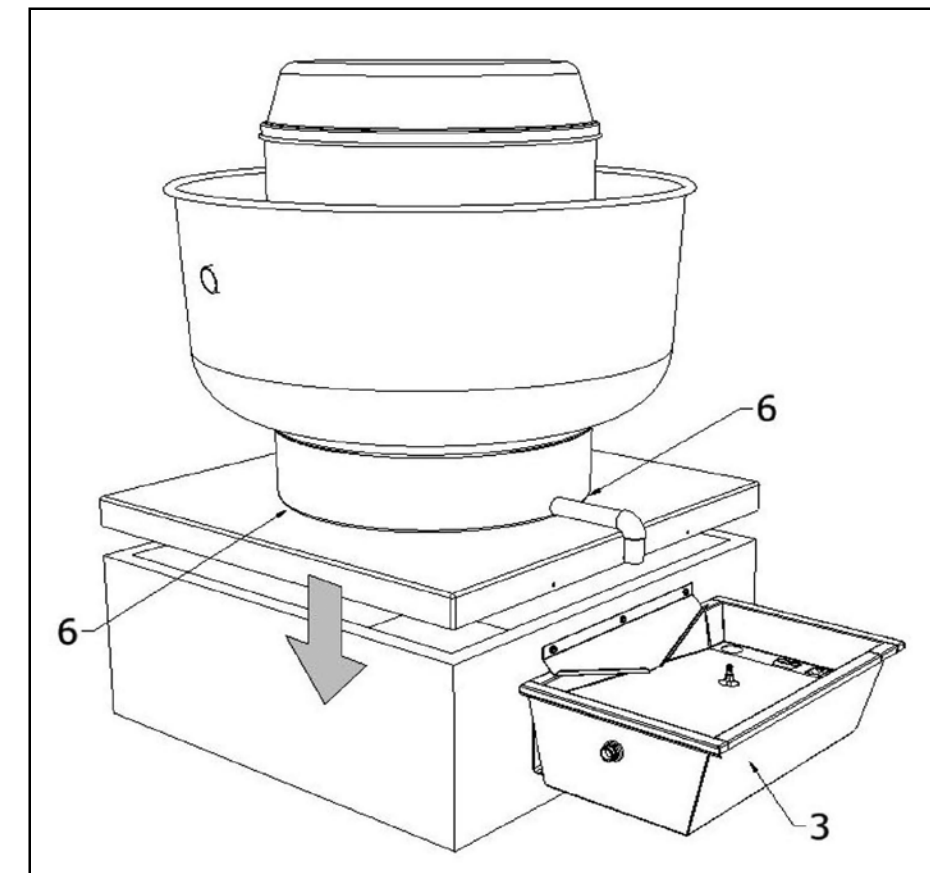
2. Attach funnel under lip of fan using screws.



3. Place Interceptor on mounting bracket.
4. Adjust mounting bracket to level interceptor.
5. Tighten mounting bracket adjustment screws.



6. Using approved sealant – seal the sheet metal joints on the exhaust fan.



7. Peel off the protective backing from the cleaning instruction and attach it to the fan body in a prominently visible location. Be sure the fan surface is clean and dry. Use enough pressure to ensure that it is firmly adhered.